

BOXER 80/81



DIAPHRAGM PUMPS

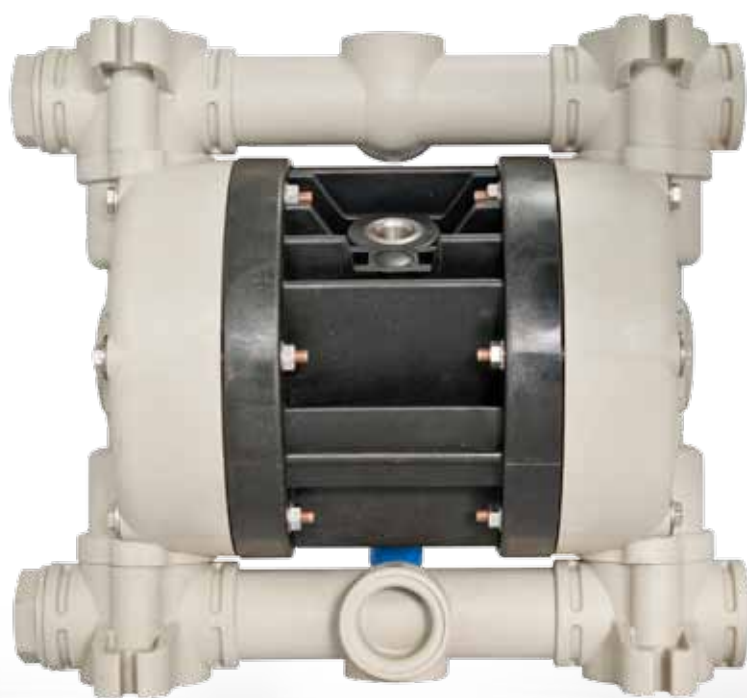
BOXER 80/81 diaphragm pumps are characterized by **exceptional performance**, power and strength, making them **ideal for pumping liquids with high apparent viscosity** even if containing suspended solids.

The **stall-prevention pneumatic system** assures a safe pump running and it does not need lubricated air.

Self-priming dry capacity even with considerable suction head, fine tuning of speed without pressure loss and the possibility of dry operation without suffering damage mean that these pumps offer unrivalled versatility. In addition, the huge choice of construction materials allows selection of **optimum chemical compatibility** with the fluid and/or environment without neglecting the temperature range. They are specifically designed for demanding applications with high humidity or in potentially explosive atmospheres (**ATEX certification**)

intake/delivery connections **G 1" f or DN 25** - flow-rate **100 l/min**

construction materials: **PP - PVDF - Alu - Aisi 316**



BOXER 80/81



STANDARD: II 3/3 GD c IIB T135°C (zone 2)
 CONDUCT: II 2/2 GD c IIB T135°C (zone 1)



DIAPHRAGM PUMPS

TECHNICAL DATA



BOXER 81 PP



BOXER 81 PVDF



BOXER 81 ALU



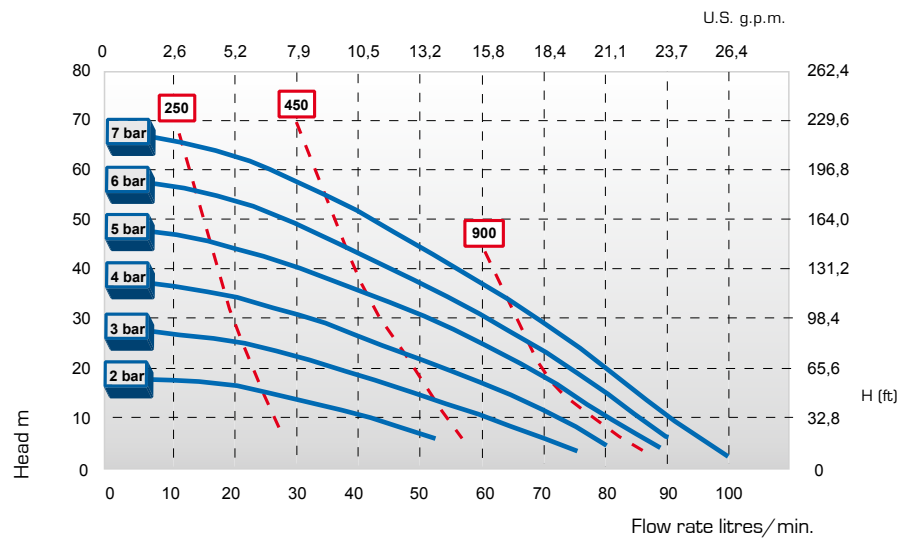
BOXER 80 Aisi 316

Intake/delivery connections	G 1" f or DN 25
Air connection	G 3/8" f
Max. self-priming capacity	6 m
Max. flow rate*	100 l/min
Max. head*	70 m
Max. air supply pressure	7 bar
Max. diameter of passing solids	4 mm

Net Weight	PP	5 Kg	(zone 2) 60°C Max temp.
	PVDF	6,5 Kg	(zone 2) 95°C Max temp.
	Alu	6,5 Kg	(zone 2) 95°C Max temp.
	Aisi 316	10,5 Kg	(zone 2) 95°C Max temp.

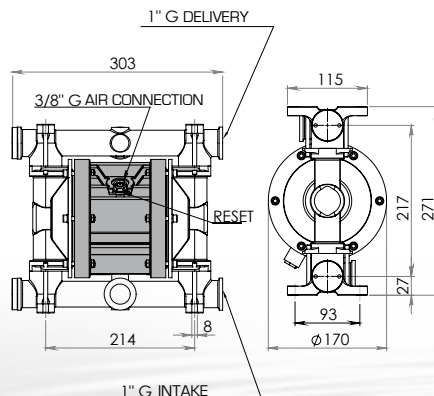
*The curves and performance values refer to pumps with submerged suction and a free delivery outlet with water at 20°C, and vary according to the construction material.

- Air supply pressure
- Air consumption NI/min

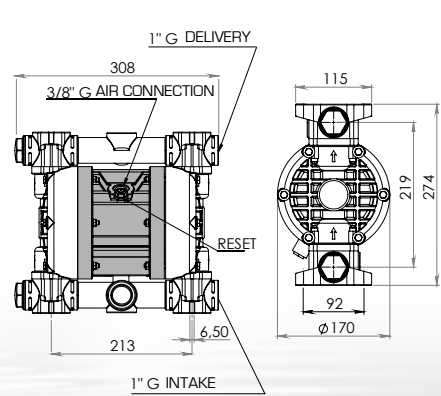


PERFORMANCE

B80



B81



The dimensions shown are in mm

DIMENSIONS

All the values shown are approximate and not binding